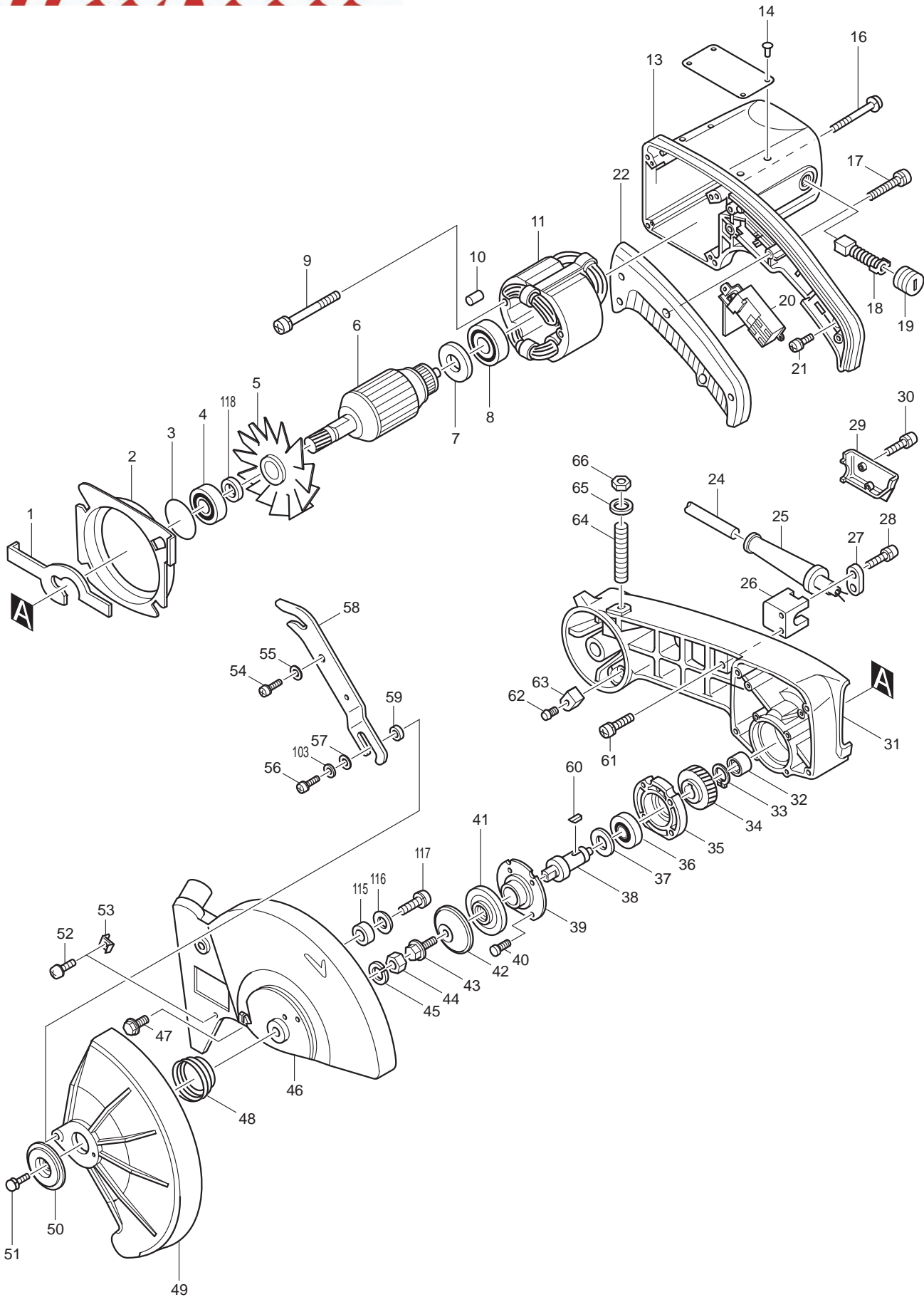
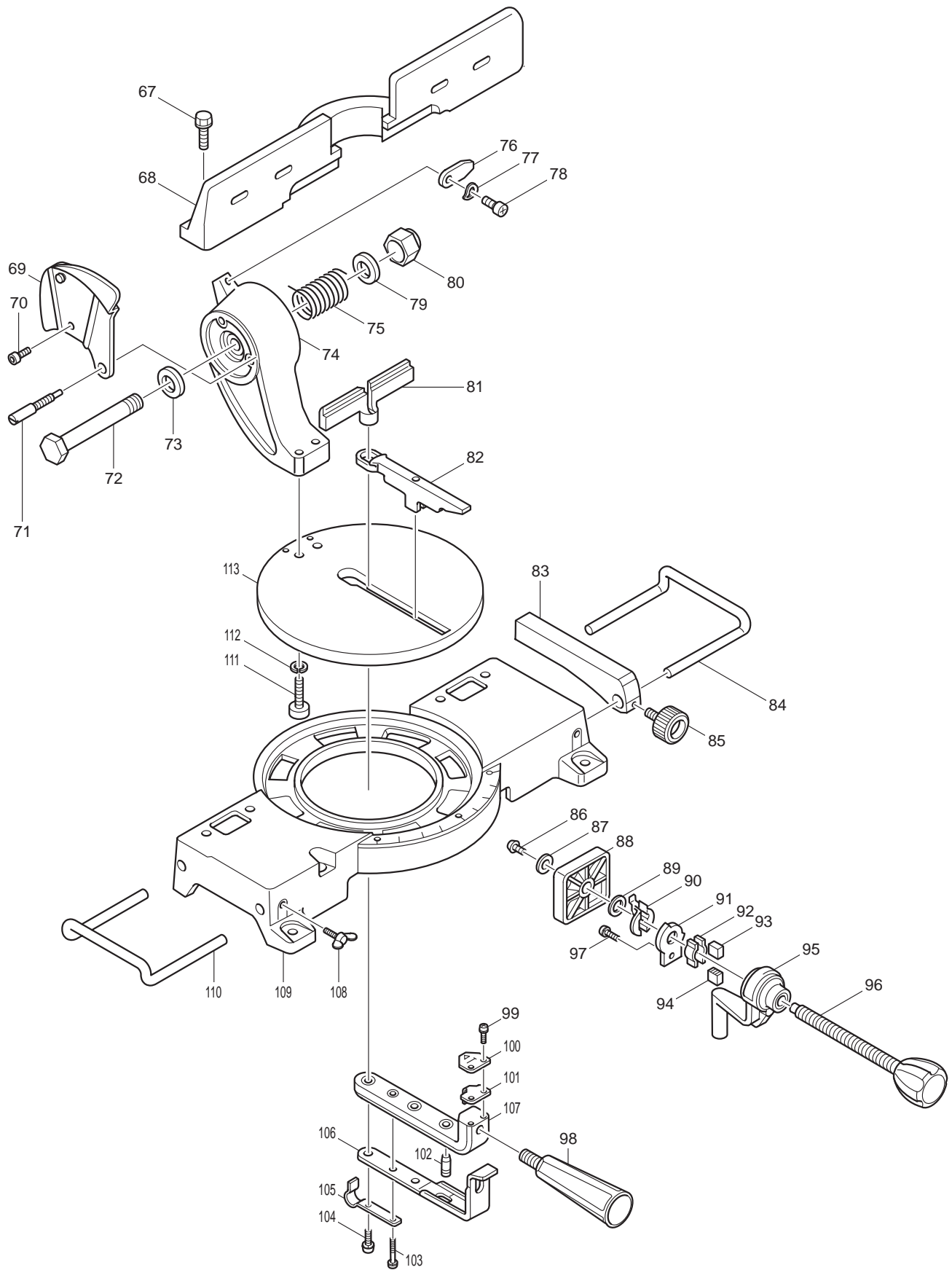




05 - 2010
LS1440
14" MITRE SAW





Item No	Type	Ref	Part No	Description	Qty	Unit
1			163100-8	SHAFT LOCK	1	PC.
2			411466-3	BAFFLE PLATE	1	PC.
3			213459-4	O RING 32	1	PC.
4			211201-7	* BALL BEARING 6002LLB	1	PC.
5			241514-2	FAN 92	1	PC.
6			514986-7	* ARMATURE ASS'Y 115V	1	PC.
		INC.		* Item No. 5,7,8		
7			681623-9	INSULATION WASHER	1	PC.
8			211068-3	BALL BEARING 6200LB	1	PC.
9			911290-9	PAN HEAD SCREW M5X65	2	PC.
10			263013-4	RUBBER PIN 4	1	PC.
11			526006-5	* FIELD ASS'Y 115V	1	PC.
		INC.	654020-2	* RING TERMINAL	2	PC.
		INC.	654502-4	* CONNECTOR P-2	2	PC.
13			152944-1	* MOTOR HOUSING COMPLETE	1	PC.
		INC.	817881-3	* CAUTION LABEL	1	PC.
		INC.	231531-0	* TORSION SPRING	1	PC.
		INC.	643660-1	* BRUSH HOLDER 6.5-13.5 (OLD# 643653-8)	2	PC.
		INC.		* Item No. 10		
14			953106-2	RIVET 0-5	4	PC.
15			856017-9	NAME PLATE F/LS1440	1	PC.
16			251335-4	+ PAN HEAD SCREW M5X80	4	PC.
17			911158-9	PAN HEAD SCREW M4X30	4	PC.
18	1		181047-4	CARBON BRUSH CB-154 2PCS/SET W/O ORIGIN - N/L/A	1	SET
	2		194986-9	CARBON BRUSH CB-154 2PC/SET W/ ORIGIN	1	SET
	Opt.1		181048-2	A.C. CARBON BRUSH CB-155 2PC/SET W/O ORIGIN - N/L/A	1	SET
	Opt.2		194987-7	A.C. CARBON BRUSH CB-155 2PC/SET W/ ORIGIN	1	SET
19			643650-4	BRUSH HOLDER CAP 6.5-13.5	2	PC.
20			651153-4	* SWITCH SGE220RD-1 (TRIGGER)	1	PC.
21			911101-8	PAN HEAD SCREW M4X6	1	PC.
22			410860-6	HANDLE COVER	1	PC.
24			664265-4	CORD WITH PLUG 2P-16-2.5M SJ	1	PC.
25			682505-8	CORD GUARD 10-90	1	PC.
26			411468-9	CLAMP BASE	1	PC.
27			687001-1	STRAIN RELIEF	1	PC.
28			911133-5	PAN HEAD SCREW M4X18	2	PC.
29			411467-1	CLAMP COVER	1	PC.
30			911128-8	PAN HEAD SCREW M4X16	2	PC.
31			157861-0	GEAR HOUSING	1	PC.
		INC.	213459-4	O RING 32	1	PC.
		INC.	951157-9	SPRING PIN 5-16	2	PC.
32			212113-7	NEEDLE BEARING 1212	1	PC.
33			961060-6	RETAINING RING S-20	1	PC.
34			226411-3	* HELICAL GEAR 41T	1	PC.
35			315055-5	BEARING BOX	1	PC.
36			211306-3	BALL BEARING 6204LLB	1	PC.
37			253327-9	THIN WASHER 20	1	PC.
38	2		321730-3	SPINDLE	1	PC.
39			285649-9	BEARING RETAINER 72	1	PC.
40			912231-8	COUNTERSUNK HEAD SCREW M5X20	4	PC.
41			224264-4	INNER FLANGE 65	1	PC.
42			224310-3	OUTER FLANGE 65	1	PC.

Item No	Type	Ref	Part No	Description	Qty	Unit
43			251637-8	HEX. BOLT M8X20	1	PC.
44			931302-2	HEX. NUT M6	1	PC.
45			942151-2	SPRING WASHER 6	1	PC.
46			154923-5	BLADE CASE COMPLETE (OLD# 151279-7 - N/L/A)	1	PC.
47			265324-3	HEX. FLANGE HEAD BOLT M8X12	1	PC.
48			231939-8	SPRING 30	1	PC.
49			419482-9	SAFETY COVER (OLD# 414084-6 - N/L/A)	1	PC.
50			343358-7	CENTER PLATE	1	PC.
51			923311-5	CAP SQUARE NECK BOLT M6X12	1	PC.
52			911206-4	PAN HEAD SCREW M5X10	2	PC.
53			343492-3	BLADE STOPPER	2	PC.
54			251333-8	+ PAN HEAD SCREW I8	1	PC.
55			253878-2	FLAT WASHER 10	1	PC.
56			251339-6	+ PAN HD. SCREW I8	1	PC.
57			257146-5	RING 10	1	PC.
58			343792-1	GUIDE ARM	1	PC.
59			253731-2	FLAT WASHER 8	1	PC.
60			254203-0	KEY 4	1	PC.
61			911121-2	PAN HEAD SCREW M4X14	2	PC.
62			251399-8	+ PAN HEAD SCREW I5	1	PC.
63			411479-4	CUSHION	1	PC.
64			251959-6	-SCREW (FLAT POINT)M10X80	1	PC.
65			941252-3	FLAT WASHER 10	1	PC.
66			931501-6	HEX. NUT M10	1	PC.
67			921551-9	HEX. BOLT M10X30	4	PC.
68	1		316030-4	GUIDE FENCE	1	PC.
	2		318866-7	GUIDE FENCE	1	PC.
69			163279-5	SUPPORTER	1	PC.
70			922331-6	HEX. SOCKET HEAD BOLT M6X20	1	PC.
71			322144-9	SET SCREW M10	1	PC.
72			251698-8	HEX. BOLT M16	1	PC.
73			253771-0	FLAT WASHER 16	1	PC.
74			154929-3	ARM COMPLETE (OLD# 154358-0 - N/L/A)	1	PC.
		INC.	256738-7	PIN 5	1	PC.
75			231533-6	TORSION SPRING 33	1	PC.
76			341926-0	HANDLE LATCH	1	PC.
77			253948-7	WAVE WASHER 8	1	PC.
78			251298-4	+ PAN HEAD SCREW I8	1	PC.
79			253771-0	FLAT WASHER 16	1	PC.
80			252044-8	HEX. NUT M16-24	1	PC.
81			419483-7	FENCE PLATE (OLD# 410850-9 or 414092-7 - N/L/A)	1	PC.
82	1		410849-4	KERF BOARD	1	PC.
	2		453636-8	KERF BOARD	1	PC.
86			911317-5	PAN HEAD SCREW M6X14	1	PC.
87			253047-5	FLAT WASHER 6	1	PC.
88			315891-9	WISE PLATE	1	PC.
89			253744-3	FLAT WASHER 12	1	PC.
90			341912-1	NUT HOLDER	1	PC.
91			342967-9	SET PLATE	1	PC.
92			341911-3	PROTECTOR	2	PC.
93			321490-7	RELEASE NUT R	1	PC.
94			321491-5	RELEASE NUT L	1	PC.

Item No	Type	Ref	Part No	Description	Qty	Unit
95			151201-4	WISE ARM COMPLETE	1	PC.
96			271275-0	KNOB 45	1	PC.
97			911216-1	PAN HEAD SCREW M5X14	1	PC.
98			273436-8	GRIP 37	1	PC.
99			911108-4	PAN HEAD SCREW M4X8	2	PC.
100			816657-5	INDICATION PLATE (EN/FR)	1	PC.
101			342823-3	PLATE	1	PC.
102			321981-8	LATCH PIN	1	PC.
103			911256-9	PAN HEAD SCREW M5X35	1	PC.
104			921456-3	HEX. BOLT M8X35	2	PC.
105			232093-1	LEAF SPRING	1	PC.
106			343359-5	LATCH SPRING	1	PC.
107			311795-3	TURNING STAY	1	PC.
109			151247-0	BASE COMPLETE	1	PC.
		INC.	817838-4	CAUTION LABEL	1	PC.
		INC.	953206-8	RIVET 2-5	3	PC.
		INC.	816189-2	SCALE LABEL	1	PC.
111			922562-7	HEX. SOCKET HEAD BOLT M10X40	2	PC.
112			942251-8	SPRING WASHER 10	2	PC.
113			311796-1	TURN BASE	1	PC.
114			253878-2	FLAT WASHER 10	1	PC.
115			262044-0	RUBBER RING 12	1	PC.
116			253011-6	FLAT WASHER 6	1	PC.
117			911216-1	PAN HEAD SCREW M5X14	1	PC.
118			267710-4	* WASHER 15 (Add)	1	PC.
200			652014-1	P.H. SCREW M4X8 (WITH WASHER)	5	PC.
201			654038-3	INSULATED TERMINAL FT1.25-M4	5	PC.
202			654510-5	CLOSED END CONNECTOR 5.5-SD (OLD)	1	PC.
203			652255-9	CLAMP WASHER	5	PC.
900			411478-6	SWITCH BUTTON	2	PC.
901			411477-8	HANDLE LATCH	1	PC.

ACCESSORIES

- See catalogue or visit www.makita.ca for other optional accessories -

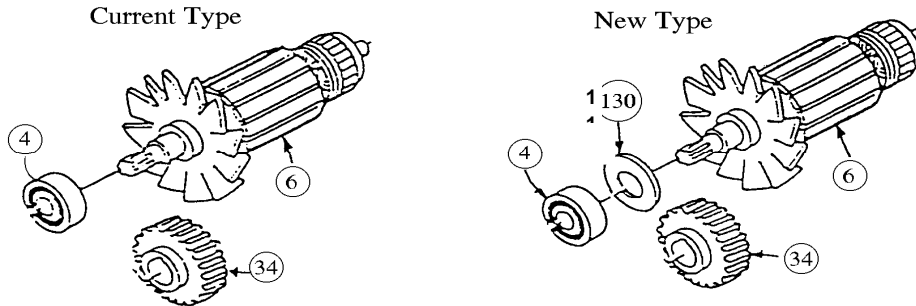
A01			792699-2	14" CROSS-CUT SAW BLADE 70T	1	PC.
A02			122330-0	DUST BAG ASS'Y	1	PC.
		INC.	410602-8	FASTENER	1	PC.
A03			782212-4	SOCKET WRENCH 13	1	PC.
A04			122563-7	WISE ASS'Y	1	PC.
		INC.		Item No. 86-97		
A05			191239-7	HOLDER SET	1	PC.
		INC.	312511-6	SET PLATE	1	PC.
		INC.	322027-3	HOLDER	2	PC.
		INC.	251804-5	SCREW M6X12	1	PC.
		INC.	924216-2	WING BOLT M5X15	2	PC.

SERVICE CHANGES

1. Changes on Armature, Helical Gear, Ball Bearing and Addition of Washer

Item No.	Description	Type 1	Type 2
4	Ball bearing	211106-1 (6201LLB)	211201-7 (6002LLB)
6	Armature Assy	514816-2	514986-7
34	Helical Gear	221696-6 (53T)	226411-3 (41T)
118	Washer 15	-----	267710-4
	Serial No.	~ 53594	53595 ~

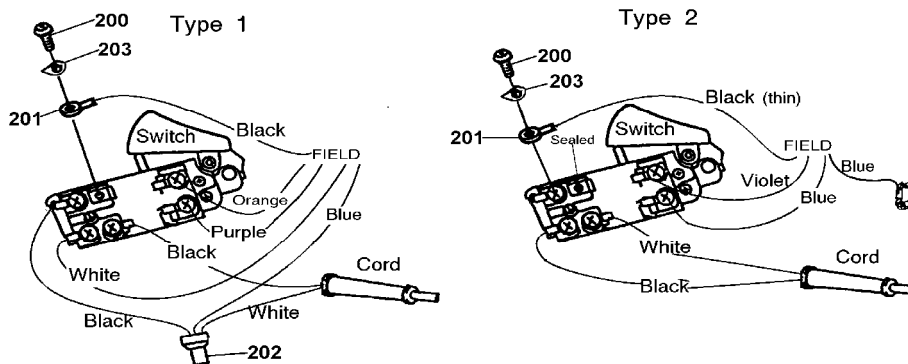
Above parts are completely interchangeable as a set.



2. Changes on Field and Switch

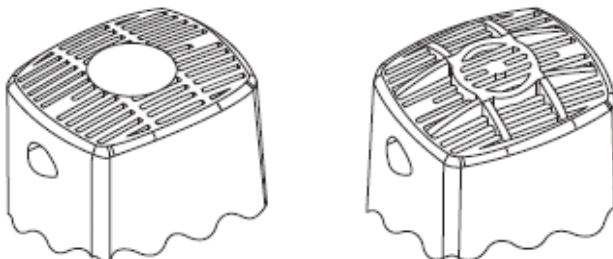
Item No.	Description	Type 1	Type 2
11	Field	524776-0 (N/L/A)	526006-5
20	Switch	651115-2	651153-4
	Serial No.	~ 68166E	68167E ~

Above parts are completely interchangeable as a set.



3. Changes on Motor Housing

Item No.	Description	Type 1	Type 2
13	Field	157736-3	152944-1



To increase the durability of the bottom of Motor Housing, ribs have been added as illustrated above.